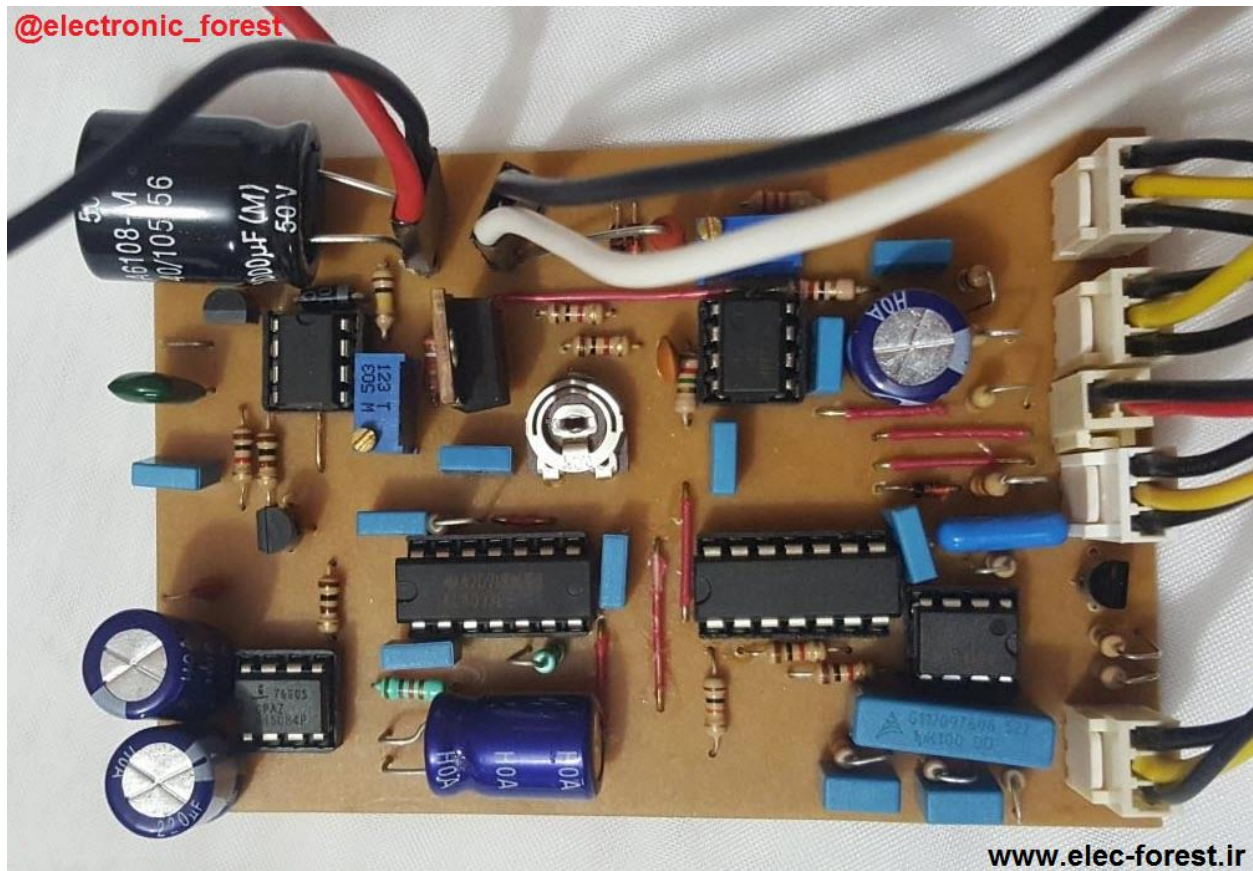
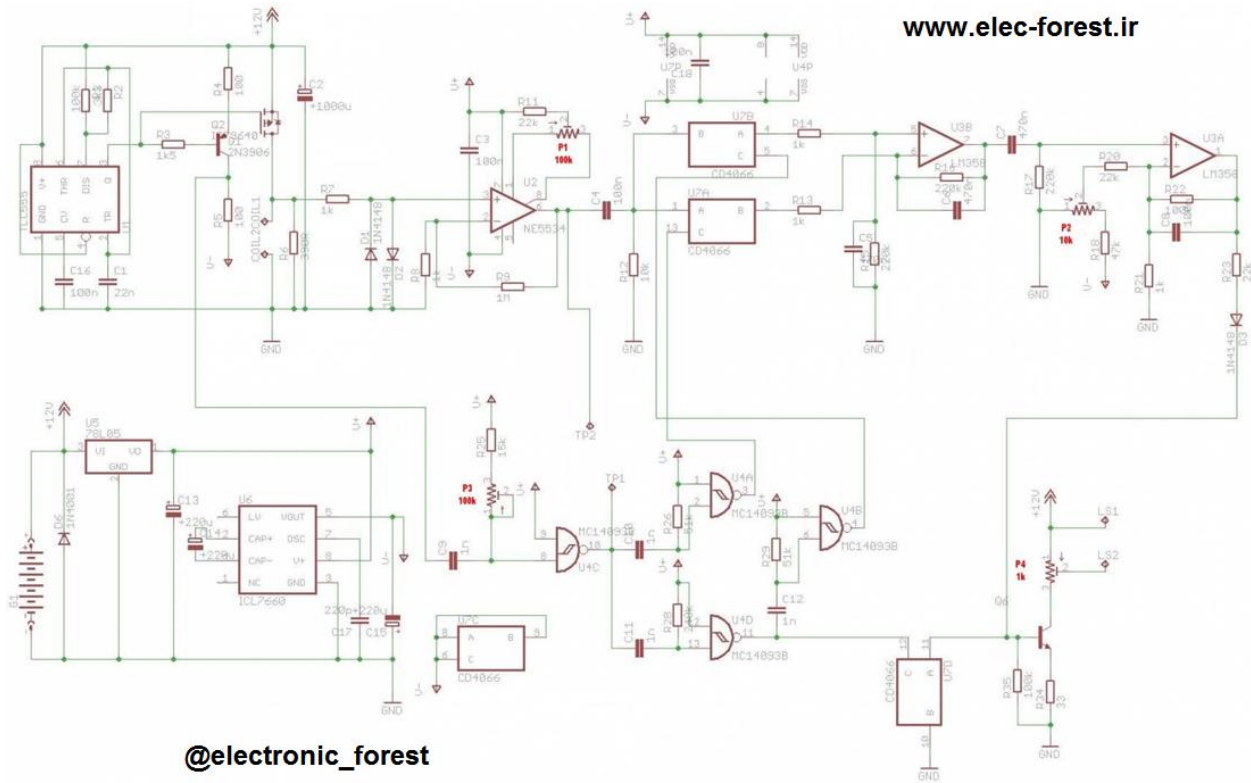


# سورس فلزیاب

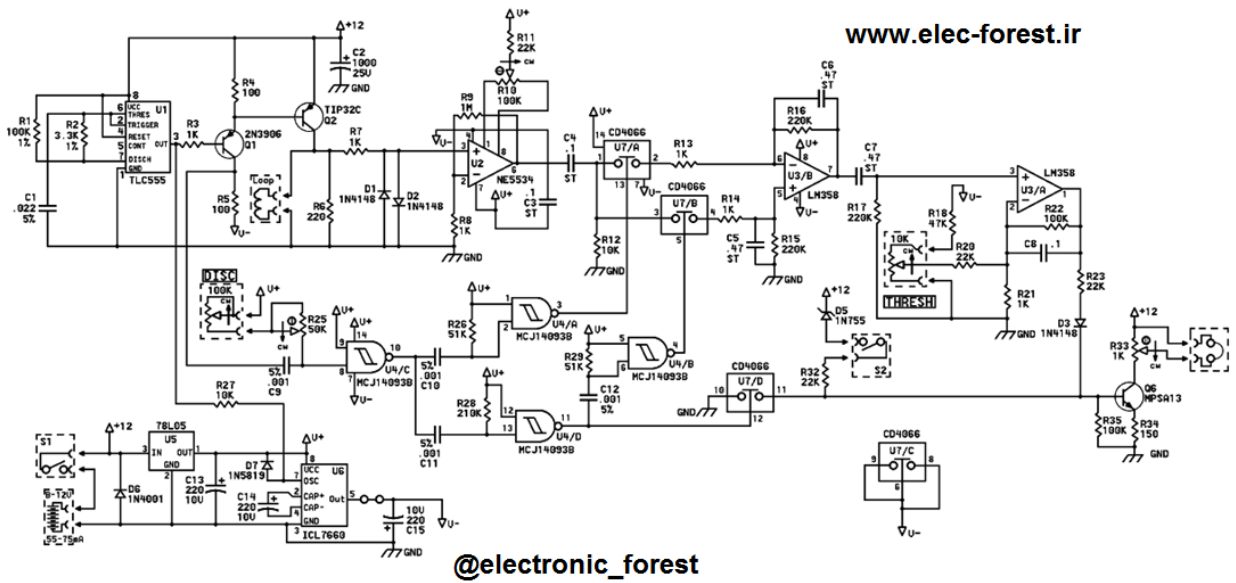
## Surfpi pro!



شماتیک:

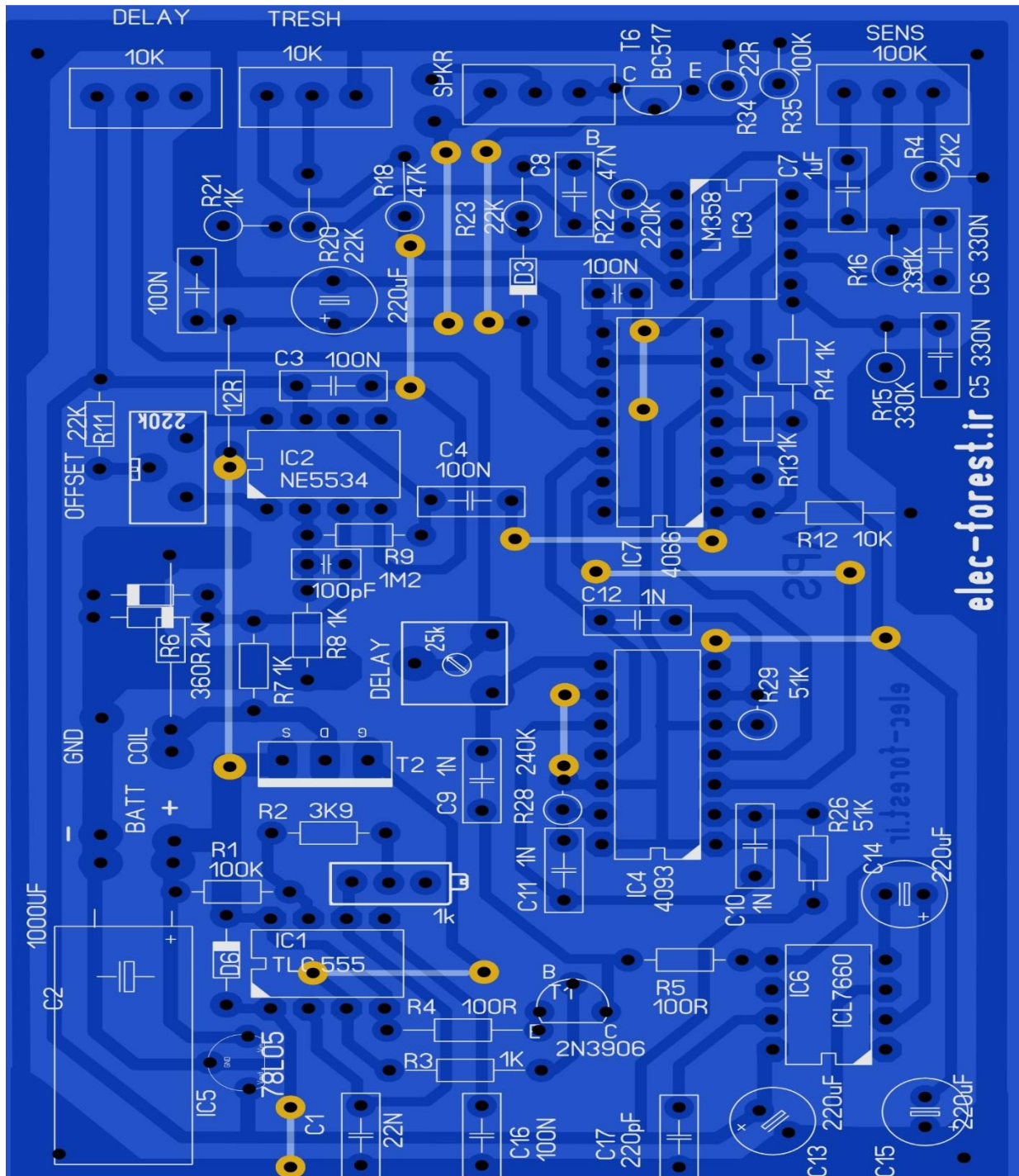


@electronic\_forest



@electronic\_forest

نمایی از برد:



لیست قطعات:

**Capacitors**

C1 22 nF [Stacked polyester film (+/-5%)] C2  
1000 uF electrolytic 25 volts  
C3 100 nF [polyester box (+/-5%)] C4 100 nF  
[polyester box (+/-5%)] C5 220 nF [polyester  
box (+/-5%)] C6 220 nF [polyester box (+/-  
5%)] C7 1 uF [polyester box (+/-5%)] C8 47 nF  
[Stacked polyester film (+/-5%)] C9 1 nF  
[Stacked polyester film (+/-5%)] C10 1 nF  
[Stacked polyester film (+/-5%)] C11 1 nF  
[Stacked polyester film (+/-5%)] C12 1 nF  
[Stacked polyester film (+/-5%)] C13 220 uF  
electrolytic 16 volts  
C14 220 uF electrolytic 16 volts  
C15 220 uF electrolytic 16 volts  
C16 100 nF [polyester box (+/-5%)]  
C17 100 nF [polyester box (+/-5%)]  
C19 220 uf electrolytic 16 volts  
C20 100pf Monolythic Ceramic

**Diodes**

D1 1N4148  
D2 1N4148  
D3 1N4148  
D4 1N5819  
D6 1N4001

**Integrated Circuits**

U1 TLC555  
U2 NE5534  
U3 LM358  
U4 CD4093  
U5 78L05  
U6 ICL7660  
U7 CD4066

**Resistors**

R1 100k [metal film 1%] R2 5k (trimmer) set  
at 3.3k  
R3 3k3 [metal film 1%] R4 2k2 [metal film 1%]  
R5 1k5 [metal film 1%] R6 390 Ohm 2W  
[metal film 1%] R7 1k [metal film 1%] R8 1k  
[metal film 1%] R9 1M [metal film 1%] R10  
100k (trimmer) offset  
R11 22k [metal film 1%] R12 10k [metal film  
1%] R13 1k [metal film 1%] R14 1k [metal film  
1%] R15 470k [metal film 1%] R16 470k [metal  
film 1%] R17 10k [metal film 1%] R18 47k  
[metal film 1%] R19 10k Pot. [Threshold] R20  
47k [metal film 1%] R21 1k [metal film 1%]  
R22 220k [metal film 1%] R23 22k [metal film  
1%] R24 1K Pot [Volume] R25 5k1 [metal film  
1%] R26 51k [metal film 1%] R27 12 Ohm  
1/2Watt [metal film 1%] R28 240k [metal film  
1%] R29 51k [metal film 1%] R30 - 10K  
Potentiometer [Pulse Delay] R31 100k Pot.  
Sensitivity  
R34 150 Ohm [metal film 1%] R35 100k  
[metal film 1%]  
Q1 2N3906  
Q2 IRF9640  
Q6 MPSA13

